



### Technical data

Voltage	U	230	V
Phase		1	~
Frequency	f	50	Hz
Speed	n	1370	RPM
Power consumption	P <sub>e</sub>	400	W
Nominal current	I <sub>nom</sub>	1.8	A
Maximum current	I <sub>max</sub>	2.4	A
Capacitor		11/400	μF/V
Ambient temperature	T <sub>amb min/max</sub>	-25...40	°C
Insulation Class		CLF	
IP Class Fan		IP55	
Sound pressure level (2 m)	L <sub>p (meas.)</sub>	69	dB(A)
Sound pressure level (7 m)	L <sub>p (calc.)</sub>	58	dB(A)
Packing dimensions		670x670x315	mm

### Fan details

Impeller blades	6
Impeller type	3
Impeller system	C
Impeller material	PP

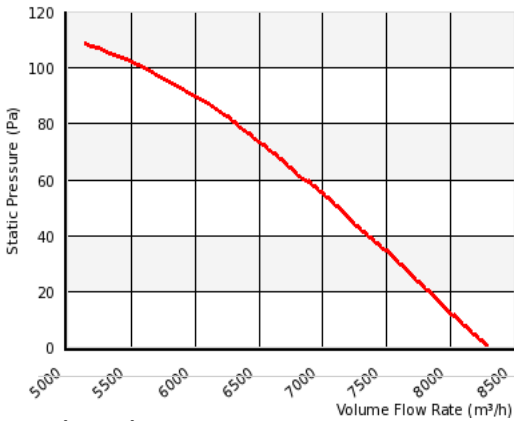
### Control options

Triac controller	Yes
Transformer	Yes
Intelligent Fan Drive	Yes
RFREINV7 control	Yes

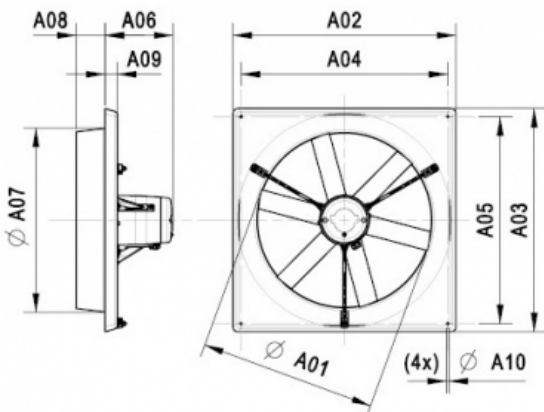
\* This fan is suitable for 1~ frequency control with the Invertek Optidrive type RFREINV7. This Invertek Optidrive RFREINV7 is equipped with a special Vostermans Ventilation BV parameter set. This Invertek Optidrive RFREINV7 is available from Vostermans Ventilation BV.

### Characteristics

0 Pa 8300 m<sup>3</sup>/h  
50 Pa 7100 m<sup>3</sup>/h



### Dimensions



- A01: 512 mm
- A02: 648 mm
- A03: 648 mm
- A04: 600 mm
- A05: 600 mm
- A06: 192 mm
- A07: 540 mm
- A08: 84 mm
- A09: 36 mm
- A10: 8 mm



Please note: Picture may deviate from original product

### Approval(s)



### Wiring diagram - Fan

AA01 - 1 Phase - Standard - CCW

