



### Technical data

Voltage	U	230 V	V
Phase		1	~
Frequency	f	50	Hz
Speed	n	1410	RPM
Power consumption	P <sub>e</sub>	250	W
Nominal current	I <sub>nom</sub>	1.2	A
Maximum current	I <sub>max</sub>	2.1	A
Capacitor		04/400	μF/V
Ambient temperature	T <sub>amb min/max</sub>	0...40	°C
Insulation Class		CLF	
IP Class Fan		IP55	
Sound pressure level (2 m)	L <sub>p (meas.)</sub>	71	dB(A)
Sound pressure level (7 m)	L <sub>p (calc.)</sub>	60	dB(A)
Weight		15.3	kg
Packing dimensions		590x530x380	mm

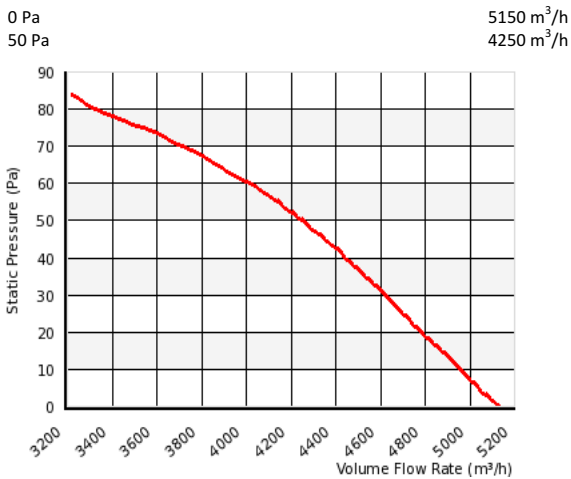
### Fan details

Impeller blades	6
Impeller type	3
Impeller system	C
Impeller material	PP

### Control options

Triac controller	No
Transformer	No
Frequency drive	No
Intelligent Fan Drive	Yes

### Characteristics



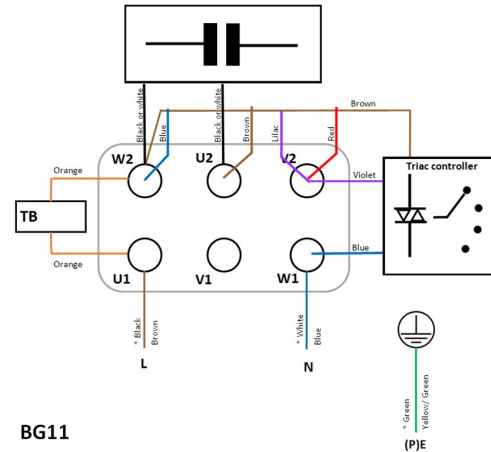
Please note: Picture may deviate from original product

### Approval(s)

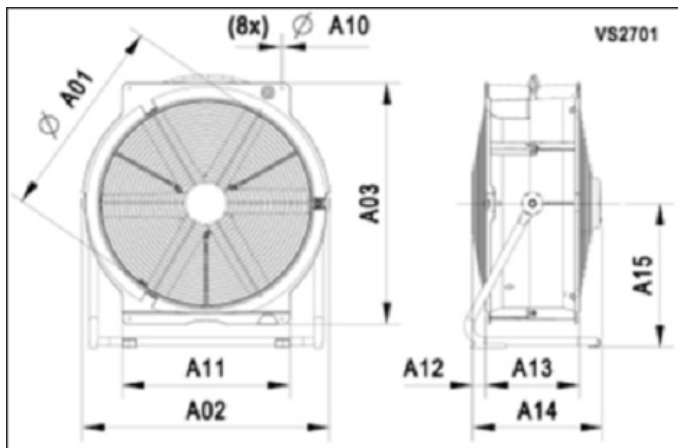


### Wiring diagram - Fan

BG11 - 1 Phase - PRMOBFAN1 triac controller - CCW



### Dimensions



A01:	420 mm
A02:	515 mm
A03:	520 mm
A10:	7 mm
A11:	365 mm
A12:	37 mm
A13:	216 mm
A14:	320 mm
A15:	304 mm