



### Technical data

Voltage	U	230	V
Phase		1	~
Frequency	f	50	Hz
Speed	n	1375	RPM
Power consumption	P <sub>e</sub>	140	W
Nominal current	I <sub>nom</sub>	0.6	A
Maximum current	I <sub>max</sub>	0.8	A
Capacitor		3.5/400	µF/V
Ambient temperature	T <sub>amb min/max</sub>	-25...40	°C
Insulation Class		CLF	
IP Class Fan		IP55	
Sound pressure level (2 m)	L <sub>p (meas.)</sub>	62	dB(A)
Sound pressure level (7 m)	L <sub>p (calc.)</sub>	51	dB(A)
Packing dimensions		510x510x315	mm

### Fan details

Impeller blades	6
Impeller type	3
Impeller system	C
Impeller material	PP

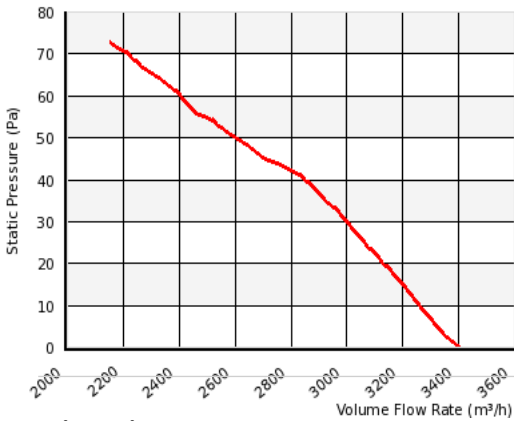
### Control options

Triac controller	Yes
Transformer	Yes
Intelligent Fan Drive	Yes
RFREINV7 control	Yes

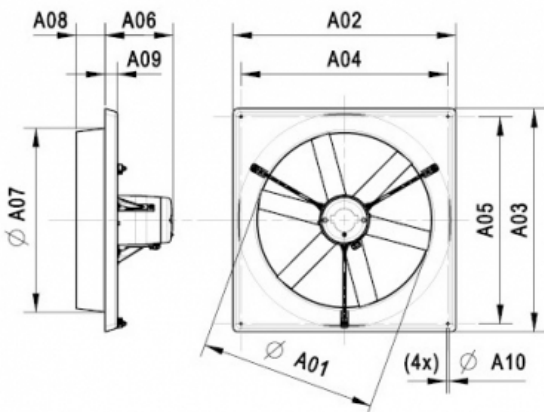
\* This fan is suitable for 1~ frequency control with the Invertek Optidrive type RFREINV7. This Invertek Optidrive RFREINV7 is equipped with a special Vostermans Ventilation BV parameter set. This Invertek Optidrive RFREINV7 is available from Vostermans Ventilation BV.

### Characteristics

0 Pa 3400 m<sup>3</sup>/h  
50 Pa 2600 m<sup>3</sup>/h



### Dimensions



A01:	362 mm
A02:	493 mm
A03:	493 mm
A04:	445 mm
A05:	445 mm
A06:	192 mm
A07:	390 mm
A08:	84 mm
A09:	36 mm
A10:	8 mm



Please note: Picture may deviate from original product

### Approval(s)



### Wiring diagram - Fan

AA01 - 1 Phase - Standard - CCW

